

# Hour Meters

## HM-142/SYS



HM-142

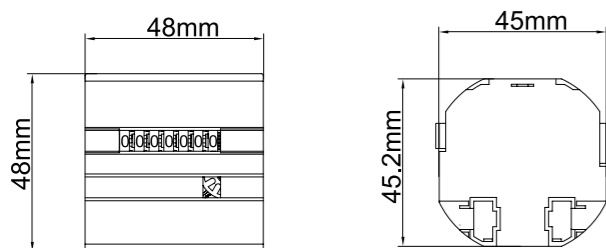


SYS

### TECHNICAL DATA

Operation voltage	10~80 VDC/AC; 100~120 VDC/AC; 200-240 VDC/AC;
Allowable operating voltage range	85~110% of rated operating voltage
Rated frequency	50/60Hz
Time range	0 ~ 99,999.99 hours
Operating temperature	-10°C ~ +55 °C
Ambient humidity	48 ~ 85%RH

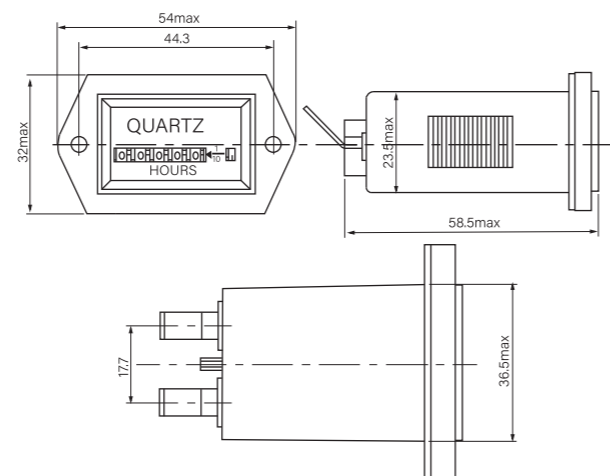
### DIMENSIONS



### TECHNICAL DATA

Supply Voltage	DC12~36V,30~60V
Dimensions	54×32×58.5mm
Time Range	0~9999.9Hours
Net Weight	50g

### DIMENSIONS



# Hour Meters

## AHC3L-□



AH3CL-8



AH3CL-6

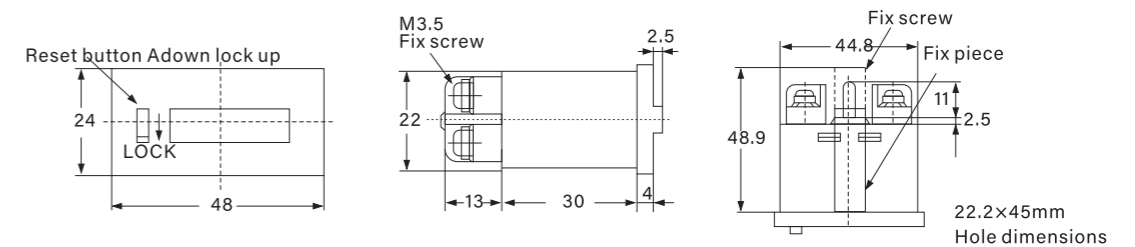
### AHC3L-□ □

- A: AC/DC 100-240V Input
- V: DC5-30V Input
- No mark: contact input (no voltage input)
- AHC3L-6: 99999.9h, 99h59m59s, 999h59m
- AHC3L-8: 999d23h, 999h59m59s, 999999h59m

### TECHNICAL DATA

Supply voltage	Driven by built-in battery	Display	6.7mmLCD
Input signal	Relay or switch contact transistor input	Weight	Approx60g
Reset system	External reset and manual reset	Operating temperature	-10°C~40°C
Nonvoltage input signal	Short-circuit impedance:10KΩmax Open impedance: 500KΩmin Short-circuit residual voltage 0.5v max	Humidity	35%-85%RH
Batter life	≥6 Years	Reset signal	≥0. 2S
		Accuracy	T0. 02%

### DIMENSIONS



### WIRING DIAGRAM

