

Counters

CSK-NKW/YKW/LKW



CSK-NKW



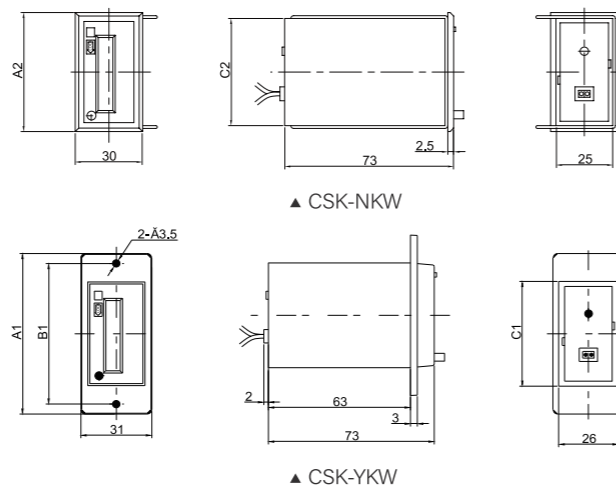
CSK-YKW

- Miniature Electro-magnetic Counter
- Display 4 / 5 / 6 digits
- Progress display
- Reset function
- Unique mechanism eliminates digit displacement during resets
- Locking device reset

TECHNICAL DATA

Operation voltage	DC(V):12, 24 AC(V):110, 220
Allowable operating voltage range	85~110% of rated operating voltage
Rated frequency	50/60Hz
Counting speed	AC:10CPS; DC:35CPS
Life	2x10 ⁷ times
Insulation resistance	≥ 100MΩ(DC 500V)
Dielectric strength	1500VAC RMS
Power consumption	AC:3VA; DC:3.5W
Ambient temperature	-10°C ~ +50°C
Ambient humidity	48 ~ 85%RH

SCALE DRAWINGS



PRODUCT PARAMETERS

Items	A1	B1	C1
CSK4-YKW	60	50	36.5
CSK5-YKW	67	57	42
CSK6-YKW	72	63	47

PRODUCT PARAMETERS

Items	A2	C2
CSK4-NKW	40	35
CSK5-NKW	46	41
CSK6-NKW	51.5	46.5

Counters

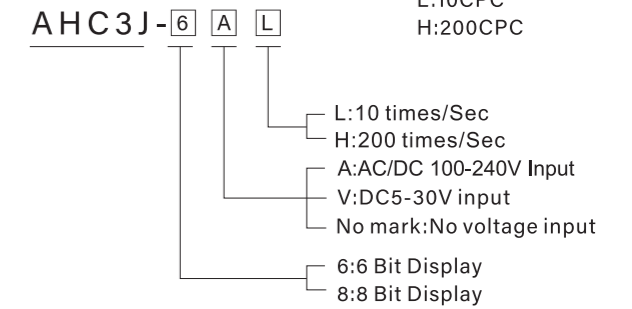
AHC3J-□□



AHC3J-8



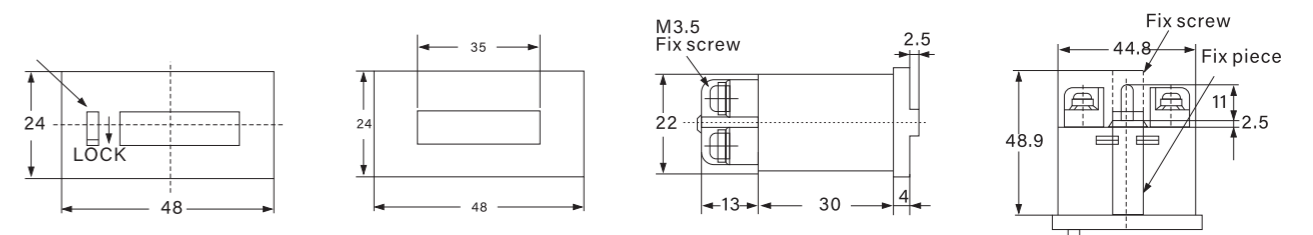
AHC3J-6



TECHNICAL DATA

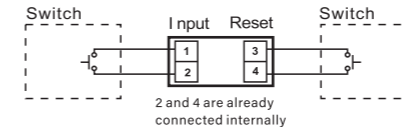
Supply voltage	Driven by built-in battery	Display	6.7mmLCD
Input signal	Relay or switch contact transistor input	Weight	Approx60g
Voltage Input signal	L level:0-2V H level:DC5-30V(AHC3J6v(A)H/AHC3J-8V(A)H)	Operating temperature	-10°C~40°C
Nonvoltage input signal	Short-circuit impedance:10KΩmax Open impedance:500KΩmin Short-circuit residual voltage 0.5v max	Reset system	External reset and manual reset
Maximun counting	10cps(signal width>50mS)	Reset signal	≥0. 2S
Speed	200cps(signal width>2.5mS)	Humidity	35%-85%RH
		Batter Life	≥6 Years

DIMENSIONS

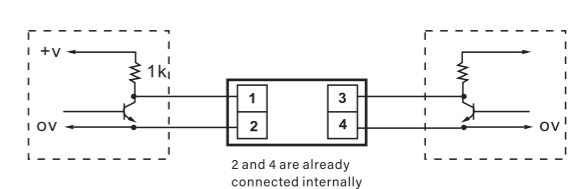


WIRING DIAGRAM

AHC3J-6(8)L no Voltage input type



AHC3J-6(8)AL / AHC3J-6(8)AH Voltage input type



AHC3J-6(8)H no Voltage input type

